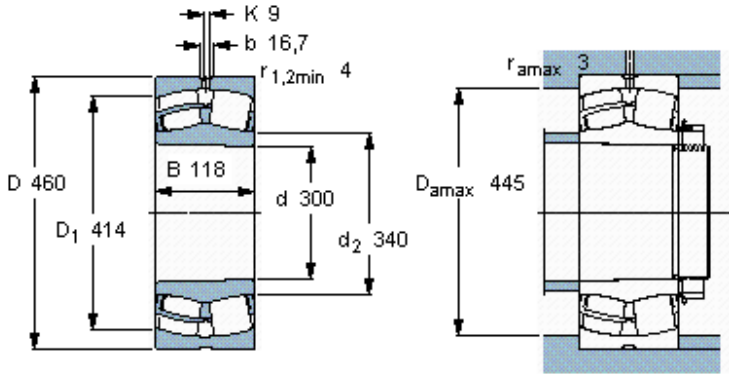


Spherical roller bearings, cylindrical and tapered bore

| Principal dimensions | | | Basic load ratings | | Speed ratings | | Designation |
|----------------------|-----|-----|--------------------|--------------|-----------------|----------------|--|
| d | D | B | dynamic C | static C0 | Reference speed | Limiting speed | |
| mm | | | kN | | r/min | | |
| 300 | 460 | 118 | 2219 | 3450 | 1200 | 1500 | * SKF Explorer bearing 23060 CCK/W33 * |



Tapered bore, taper
1: 12

Calculation factors

- e 0,23
- Y_1 2,9
- Y_2 4,4
- Y_0 2,8